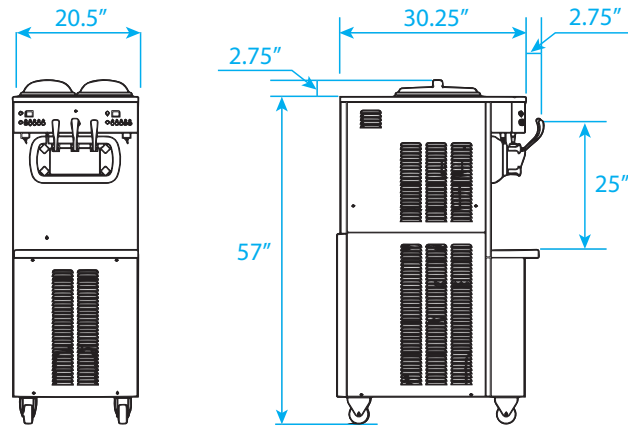


S970F Soft Serve Ice Cream Machine



www.pasmouusa.com
1-844-527-2766



Technical Specs:

GENERAL INFO

MODEL NUMBER	S970F
TYPE	standing
PRODUCTION CAPACITY	55 L / H
NUMBER OF FLAVORS	3
NUMBER OF HOPPERS	2
HOPPER CAPACITY	9.5 L
SPECIFICATIONS	30.25" x 20.5" x 57"
CARTON SIZE	34.5" x 25.25 x 63.75"
NET WEIGHT	498 Lbs
GROSS WEIGHT	568 Lbs
CYLINDER CAPACITY	2.5 L
BEATER TYPE	stainless steel
HOPPER MIXER	standard
POWER	3.2 Kw
SELF-CHECK	yes
LOW MIXTURE SENSOR	yes
FREQUENCY CONVERSION	yes

REFRIGERATION SYSTEM

NUMBER OF COMPRESSORS	2
COMPRESSOR BRAND	Aspera
COMPRESSOR CAPACITY	4094 Btu / hr x 2
COMPRESSOR GAS	R404 A
GAS QUANTITY	500 g
REFRIGERATION TYPE	air cool / water cool

TRANSMISSION

NUMBER OF MOTORS	2
MOTOR CAPACITY	550 W x 2

STAND BY SYSTEM

NUMBER OF COMPRESSORS	1
COMPRESSOR GAS	R134 A
GAS QUANTITY	280 g
COMPRESSOR CAPACITY	614 Btu / hr

Features:

- Double control system: 2+1 twist flavors
- Offers all of the popular soft serve variations from low to non-fat ice creams, custards, yogurt, and sorbet
- Serve two separate soft serve flavors, or an equal combination of both in a twist

SILENT

- Mute function, suitable for all types of environments

CONTINUOUS DISCHARGING ABILITY

- Ensures continuous discharge even during peak hours

STAND-BY FUNCTION

- Stand-by option for both hopper and cylinder
- Ensures the safety and hygiene of the liquid ice cream

AGITATOR

- Keeps liquid ice cream consistent
- Works well with pre-cooling

INTEGRATED CYLINDER

- Perfect insulation effect
- Easy to wash



Product List:

SERIAL NUMBER	COOLING TYPE	VOLTAGES
S970FA1	air cool	220 v / 50 hz 1P/F
S970FAP1	air cool	220 v / 50 hz 1P/F
S970FW1	water cool	220 v / 50 hz 1P/F
S930FWP1	water cool	210 v / 50 hz 1P/F
S970FA2	air cool	220 v / 60 hz 1P/F
S970FAP2	air cool	220 v / 60 hz 1P/F
S970FW2	water cool	220 v / 60 hz 1P/F
S970FWP2	water cool	220 v / 60 hz 1P/F